

# Universal Changeover switch



EP-20A



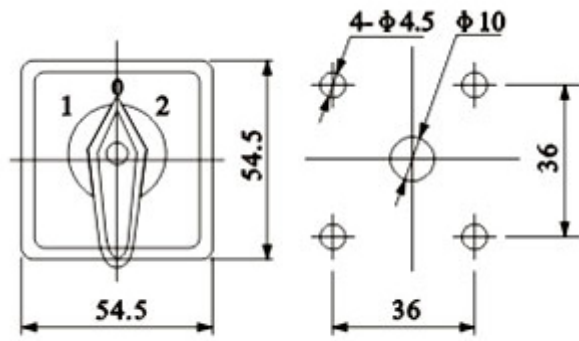
EP-32A

## EP Universal Changeover Switch

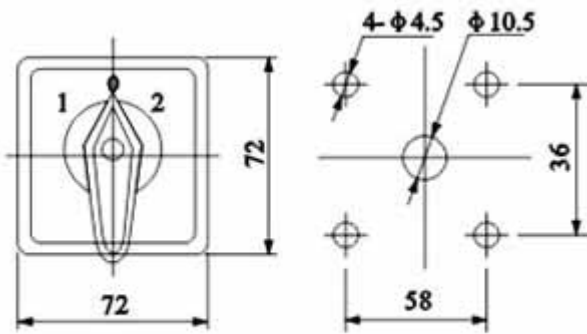
### 1. Specifications of EP Universal Changeover Switch:

Type	EP-20	EP-25	EP--32	EP-75	EP-125	
Rated Insulation Voltage Ui(V)	660	660	660	660	660	
Conventional Heating Current Ith(A)Ac10	20	25	32	75	125	
Rated Working Voltage Ue(V)	120 240 440	120 240 440	120 240 440	120 440	440	
Rated Working Current Ie(A)	AC-21A AC-22A	20	25	32	75	125
	AC-23A	15	22	30	72	90
	AC-2	15	22	30	72	90
	AC-3	11	15	22	32	36
	AC-4	3.5	6.5	11	23	30
	AC-15	5 4	8 5	14 6		
	AC-13	5 1	9 1.5	25 11	60	
Rated Control Power (KW)	AC-23A	7.5	11	15	30	45
	AC-2	7.5	11	15	30	45
	AC-3	5.5	7.5	11	24	45
	AC-4	1.5	3	5.5	11.5	18.5
Mechanical Life	60 10					
Electrical life	AC-15 20 10 DC-12 6 10					

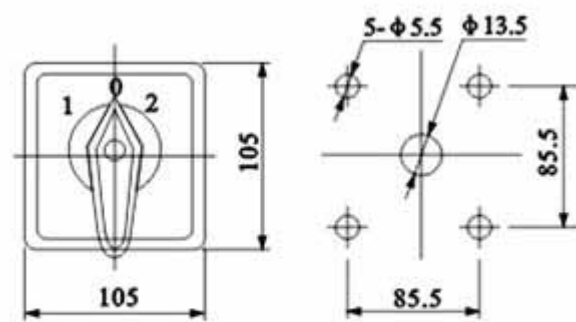
## 2. Dimension of EP Universal Changeover Switch



EP-20A



EP-20A, 25A, 32A



EP-75A, 125A